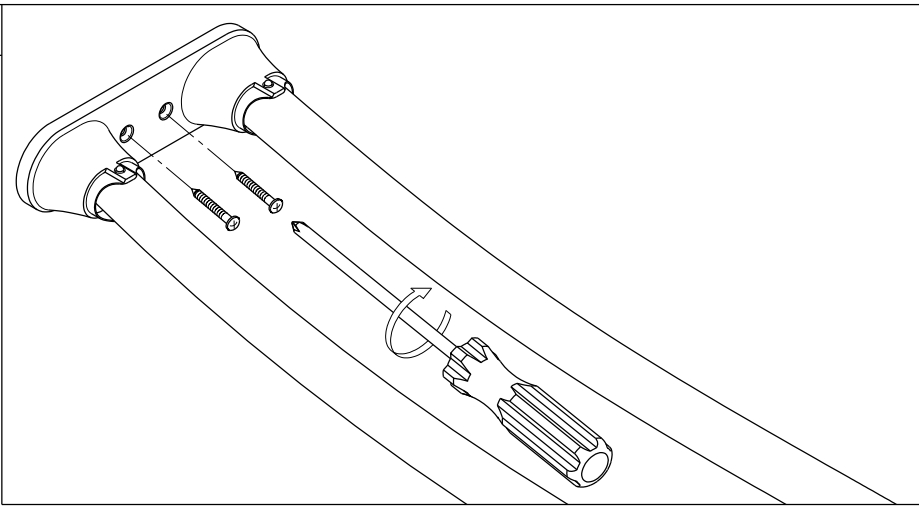
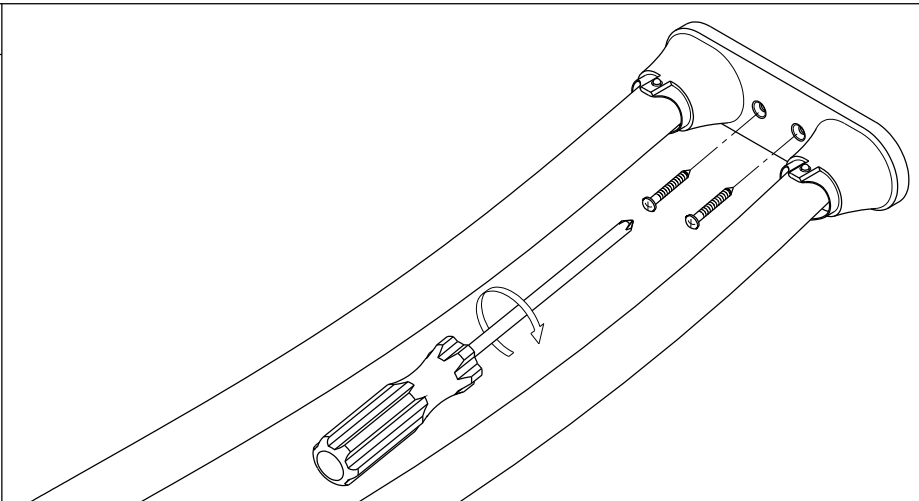


4



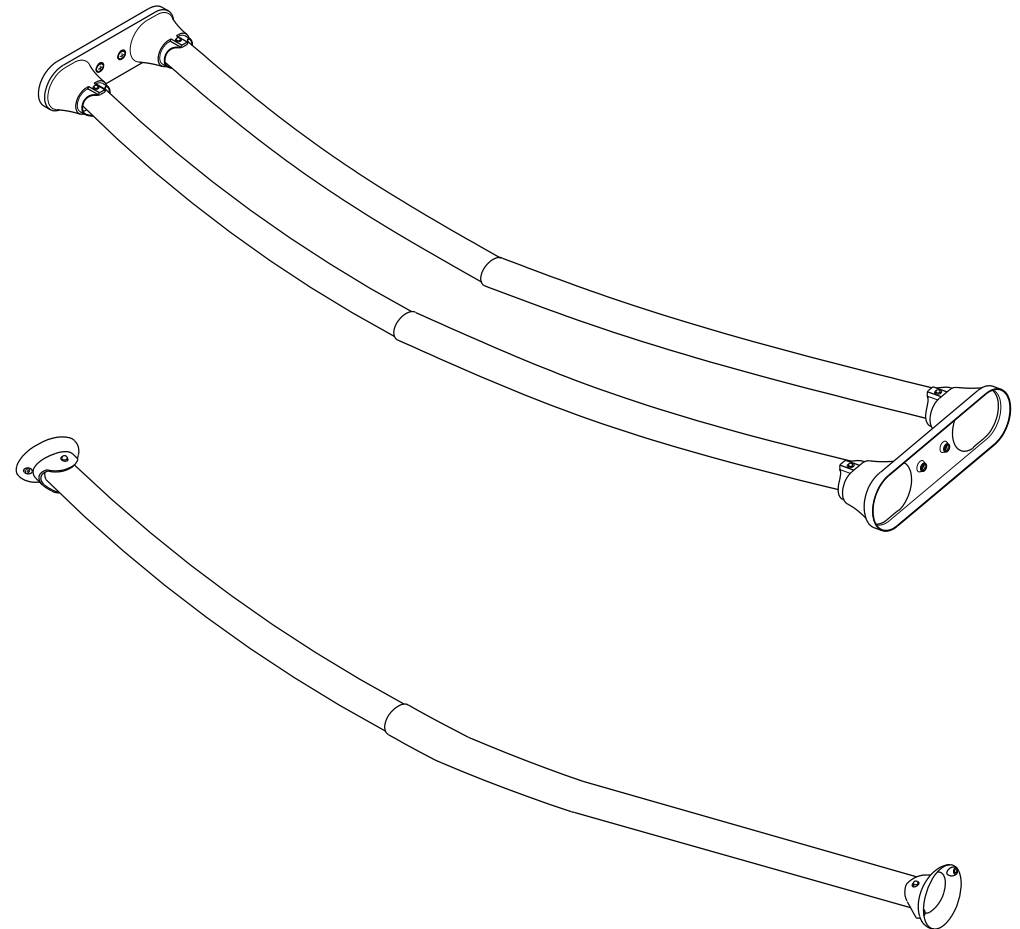
4. Place the shower rod on the mounting location and insert screws through first mounting post into anchors. Tighten screws with screwdriver.

5



5. Expand the shower rod and install on opposite end. Repeat steps 1 through 4 with the other side.

KINGSTON BRASS
THE TRADITION OF FINE BRASS




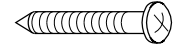
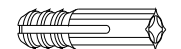
www.kingstonbrass.com
TOLL-FREE CUSTOMER SERVICE: 1-877-2-KBRASS
TECHNICAL SUPPORT E-mail: service@kingstonbrass.com
12775 Reservoir Street, Chino, CA91710

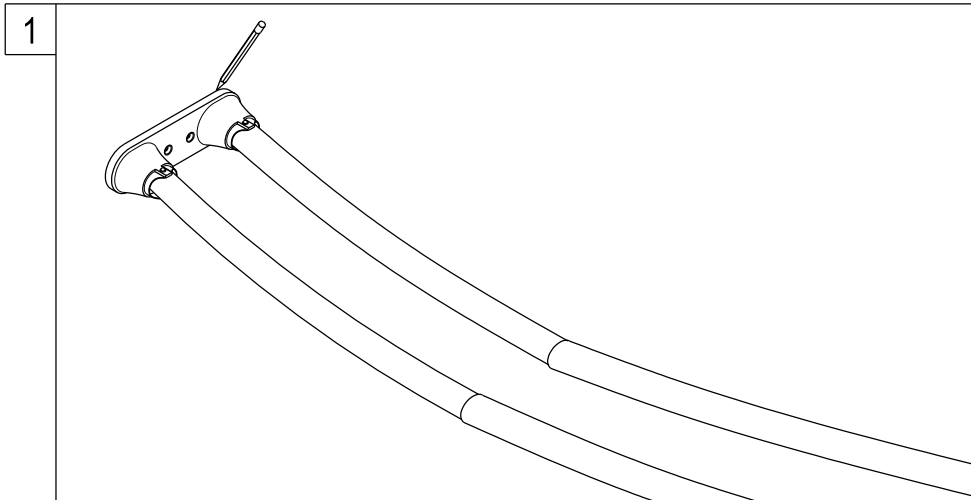
KINGSTON BRASS

THE TRADITION OF FINE BRASS

INSTALLATION INSTRUCTIONS For Use With KB's Adjustable Shower Rod

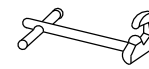
Parts:

Single Shower Rod		1 Pc
Double Shower Rods		2 Pcs
Screw		4 Pcs
Anchor		4 Pcs



1. Locate where you would like to install the curved shower rod. Place a base onto the wall and trace around it with a pencil.

Need Tools:



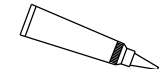
Basin Wrench



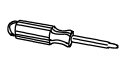
Adjustable Wrench



Teflon Tape

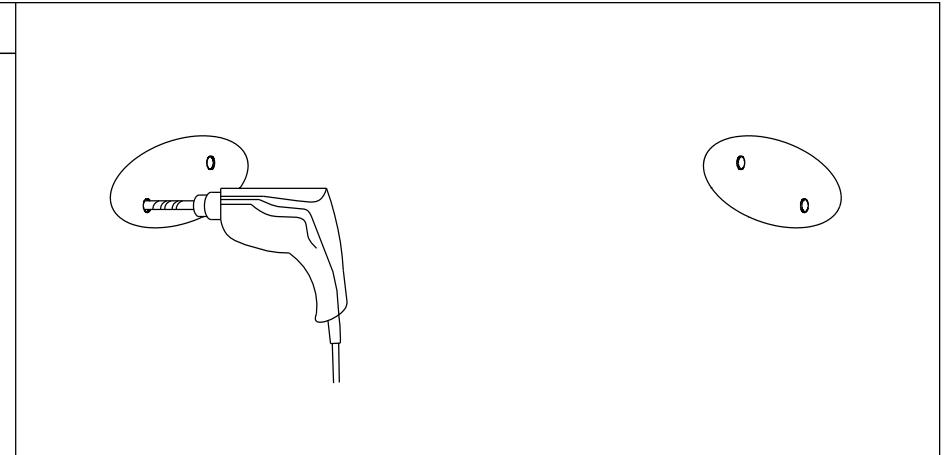


Silicone Sealant



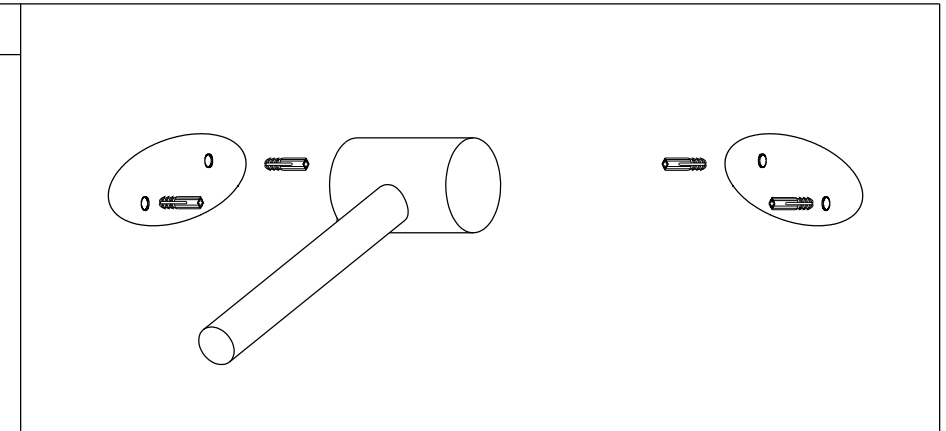
Screwdriver

2



2. Place the mounting plate in the center of the pencil outline you just made and mark the location of the mounting screws. Drill holes at the marked locations.

3



3. Insert anchors into the holes with a hammer until flush with the wall.